

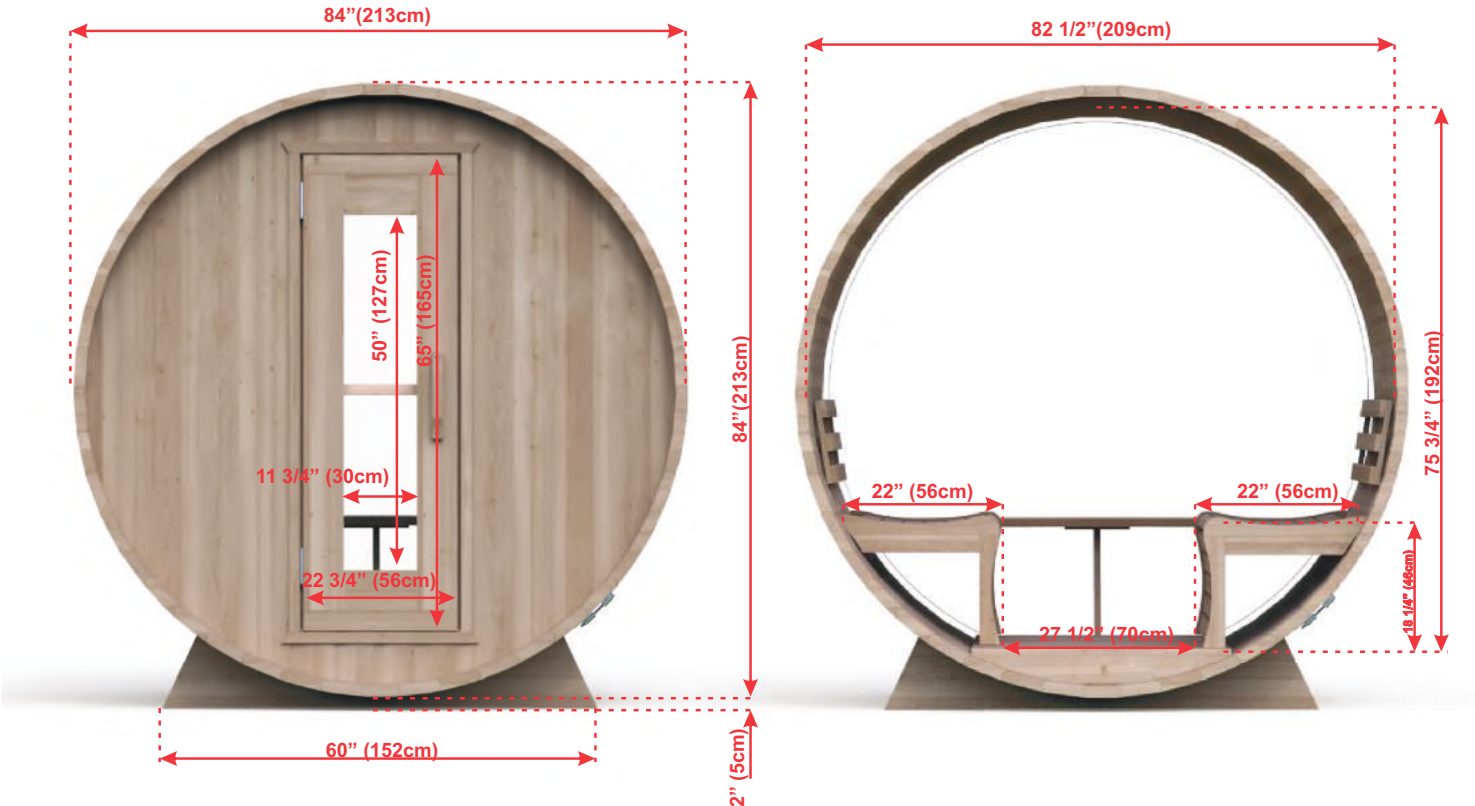


BARREL SAUNA PACKAGE FEATURES:

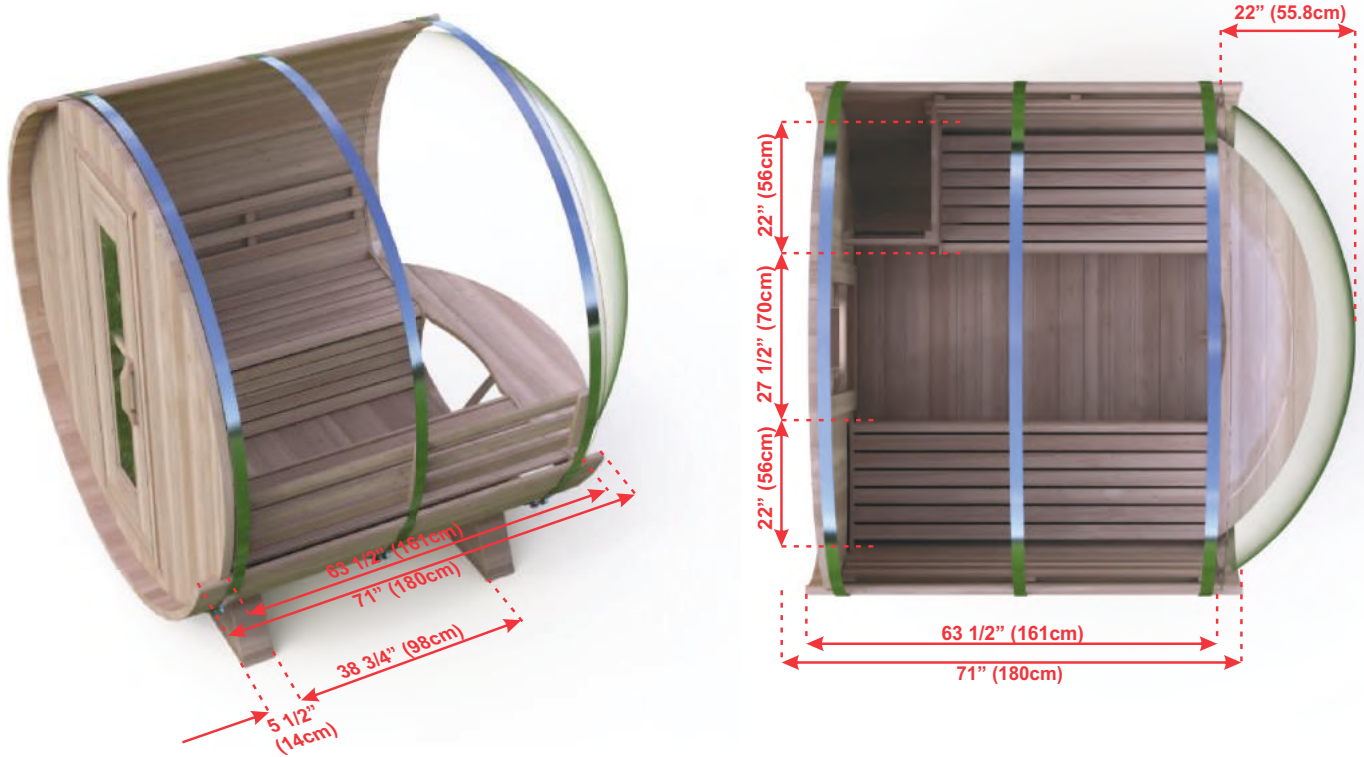
- Made in Canada with Canadian Cedar
- Easy to assemble package.
- Marine Grade aluminum bands with stainless hardware.
- Bronze tempered glass in door.
- Package includes Towel Bar and 2 Backrests.

BARREL SAUNA PACKAGE OPTIONS:

- 2' (60cm) Front Porch
- 4' (120cm) Changeroom with Benches
- Overhang Cove on Front
- 2 Windows in Front Wall
- Woodburning or Electric Heaters
- Signature Bench Upgrades



MODEL 760PV



PACKAGE SIZE:

- 1. 75x45x32" 190x114x81cm
- 2. 90x90x30" 228x228x76cm

PRODUCT WEIGHT:

- 1. 1065 lbs 483 kg
- 2. 232 lbs 105 kg



www.dundalkleisurecraft.com

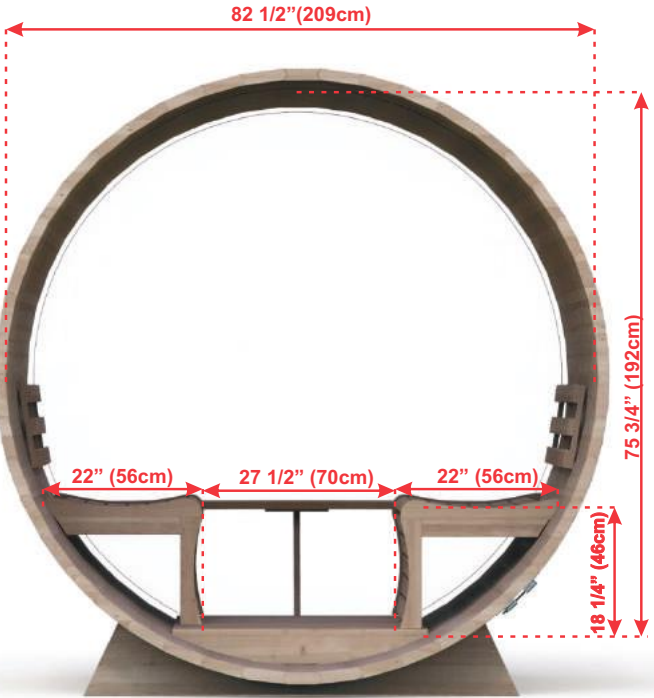
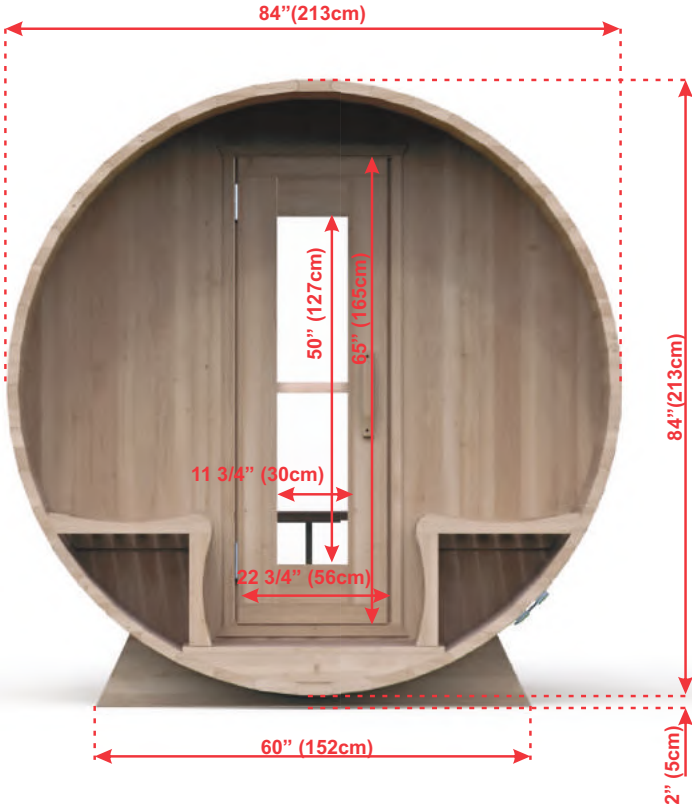


BARREL SAUNA PACKAGE FEATURES:

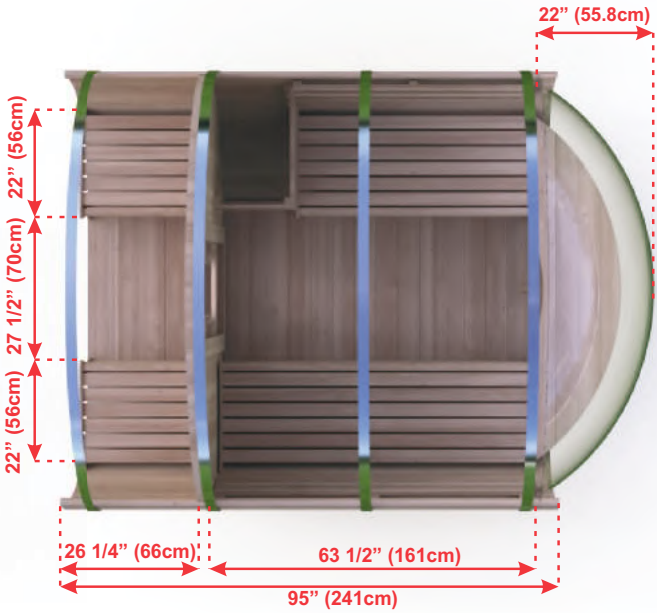
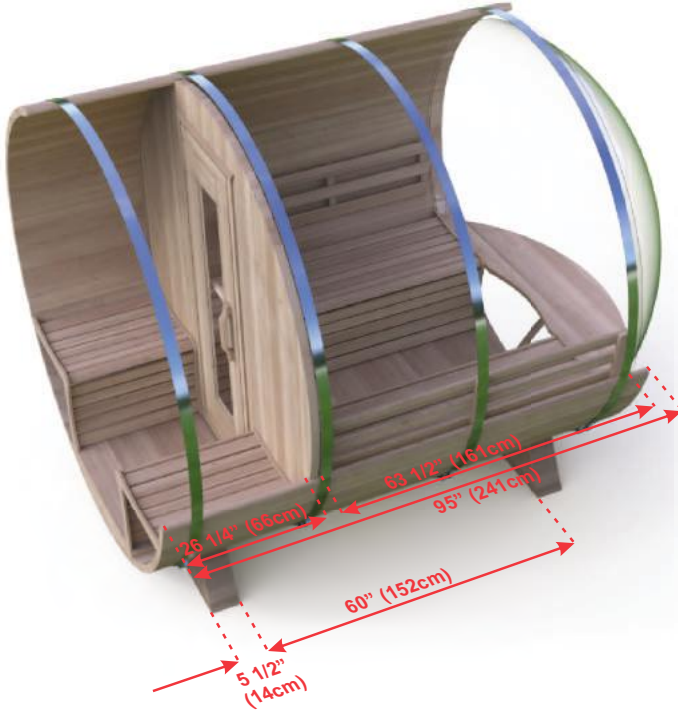
- Made in Canada with Canadian Cedar
- Easy to assemble package.
- Marine Grade aluminum bands with stainless hardware.
- Bronze tempered glass in door.
- Package includes Towel Bar and 2 Backrests.

BARREL SAUNA PACKAGE OPTIONS:

- 2' (60cm) Front Porch
- 4' (120cm) Changeroom with Benches
- Overhang Cove on Front
- 2 Windows in Front Wall
- Woodburning or Electric Heaters
- Signature Bench Upgrades



MODEL 760PV With Porch



PACKAGE SIZE:

- 1. 99x45x32" 251x114x81cm
- 2. 90x90x30" 228x228x76cm

PRODUCT WEIGHT:

- 1. 1215 lbs 551kg
- 2. 232 lbs 105 kg



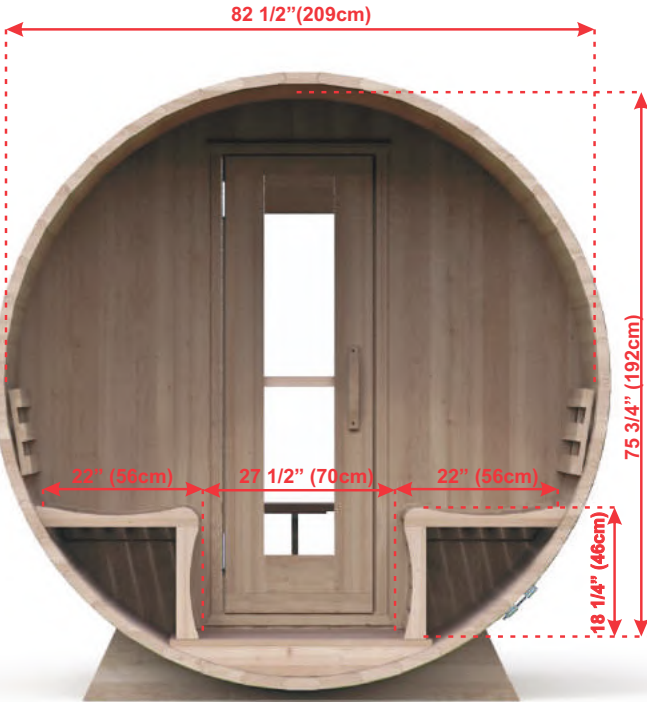
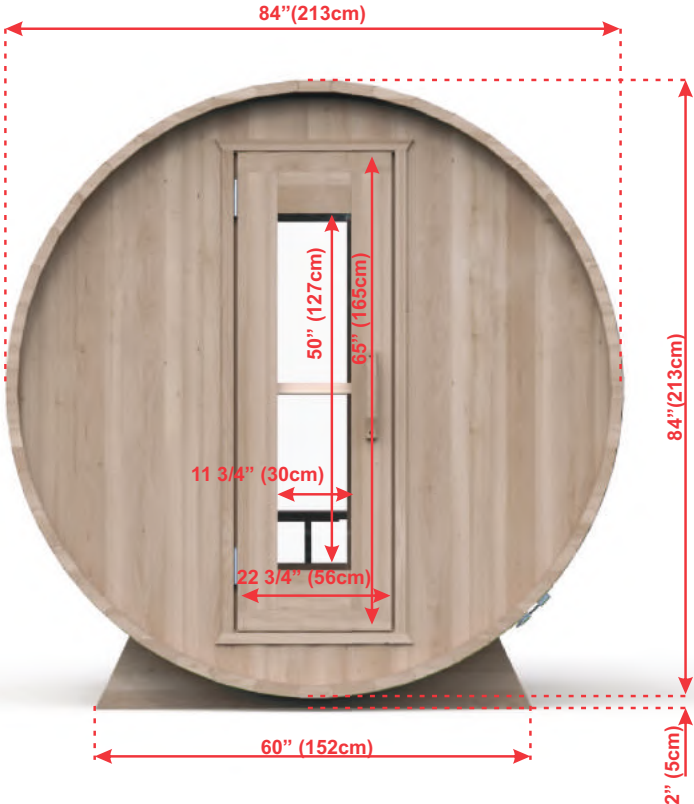


BARREL SAUNA PACKAGE FEATURES:

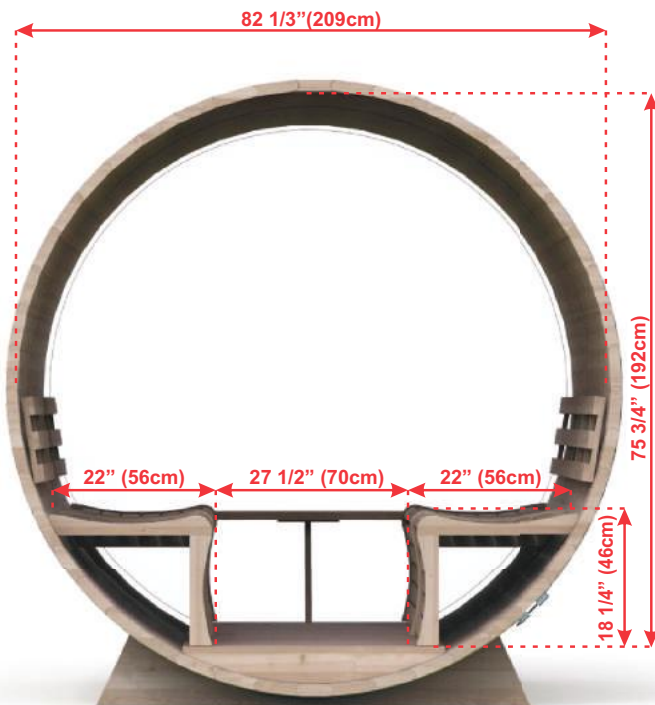
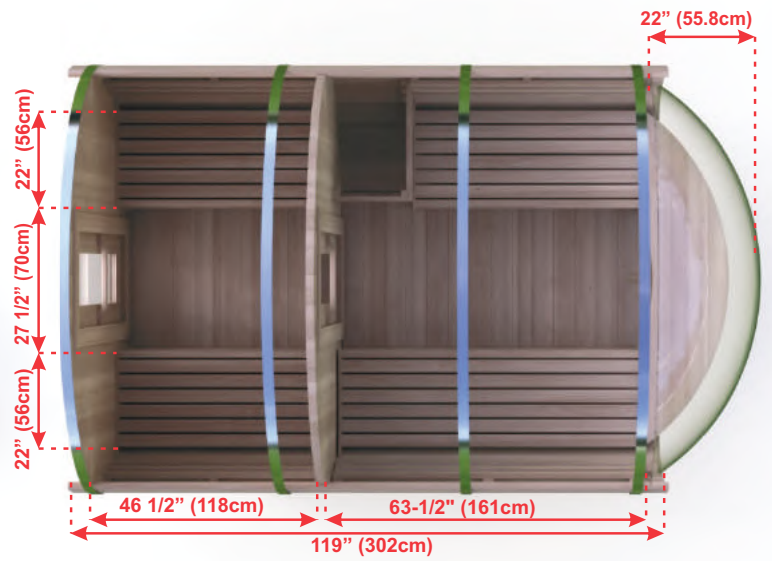
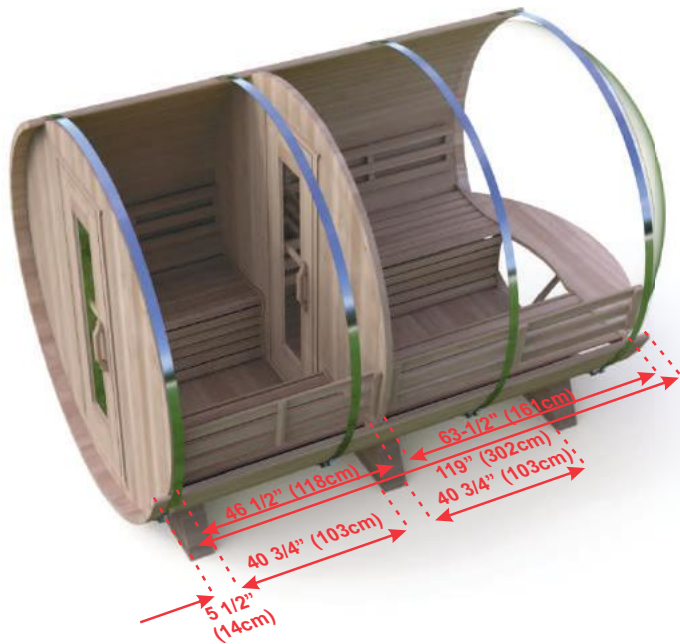
- Made in Canada with Canadian Cedar
- Easy to assemble package.
- Marine Grade aluminum bands with stainless hardware.
- Bronze tempered glass in door.
- Package includes Towel Bar and 2 Backrests.

BARREL SAUNA PACKAGE OPTIONS:

- 2' (60cm) Front Porch
- 4' (120cm) Changeroom with Benches
- Overhang Cove on Front
- 2 Windows in Front Wall
- Woodburning or Electric Heaters
- Signature Bench Upgrades



MODEL 760PV With Changeroom



PACKAGE SIZE:

1. 123x45x32" 312x114x81cm
2. 90x90x30" 228x228x76cm

PRODUCT WEIGHT:

1. 1465 lbs 664 kg
2. 232 lbs 105 kg



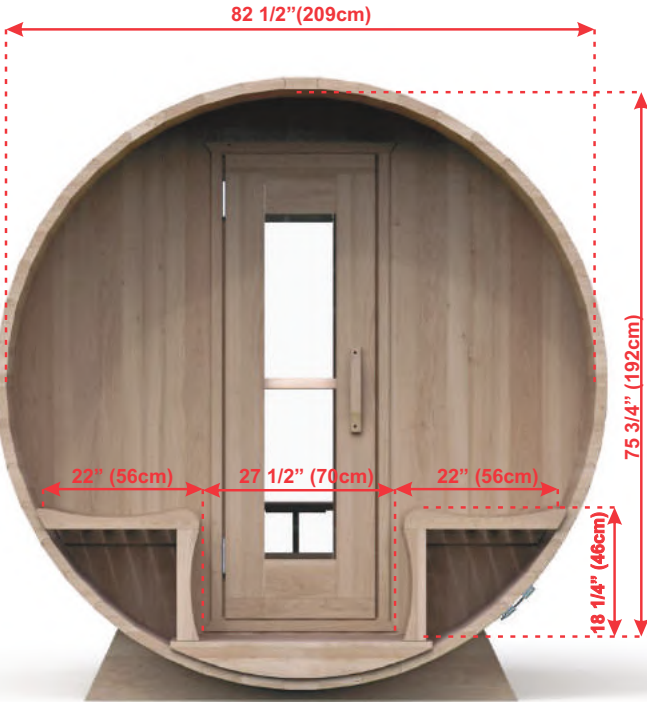
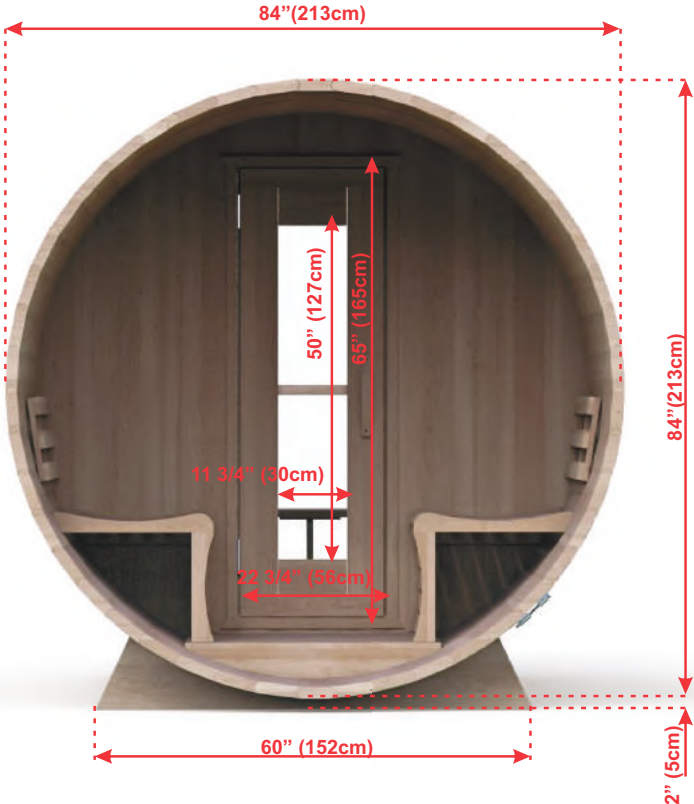


BARREL SAUNA PACKAGE FEATURES:

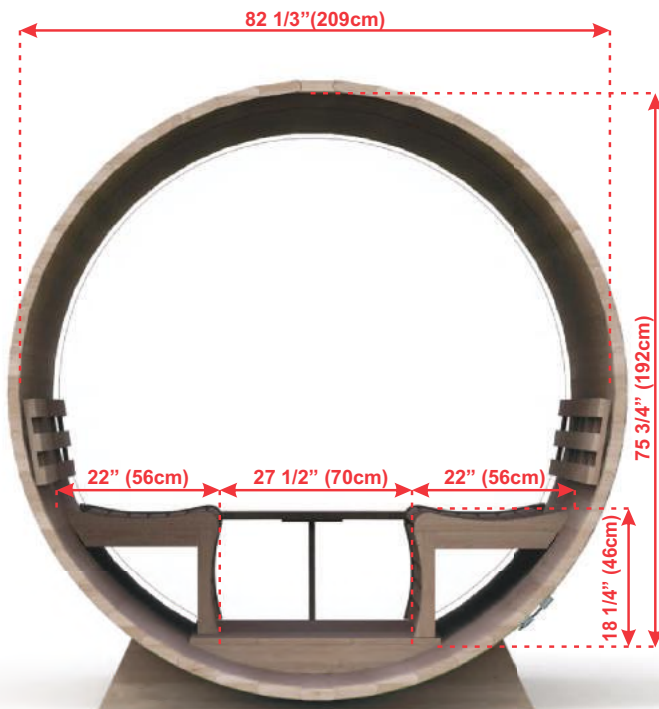
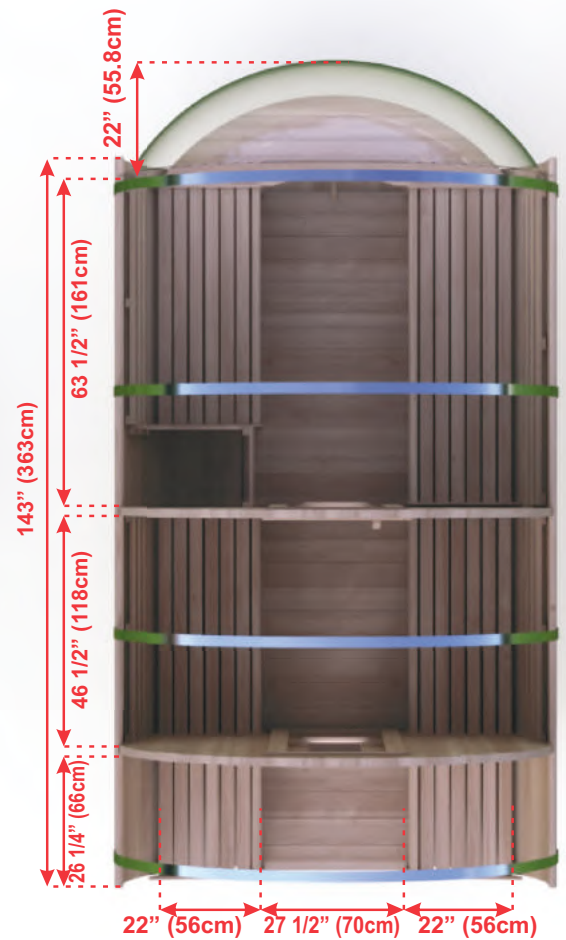
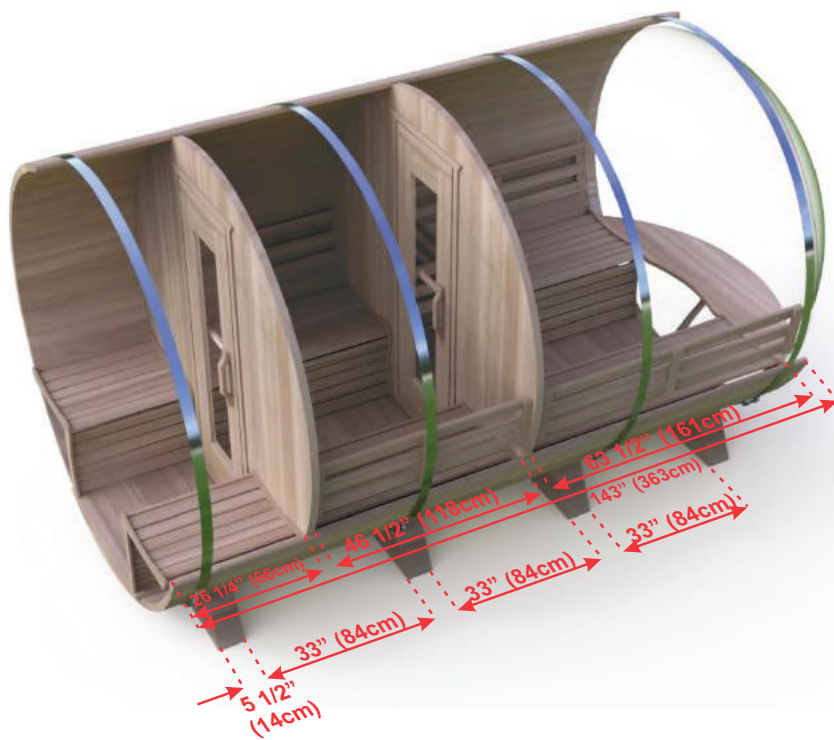
- Made in Canada with Canadian Cedar
- Easy to assemble package.
- Marine Grade aluminum bands with stainless hardware.
- Bronze tempered glass in door.
- Package includes Towel Bar and 2 Backrests.

BARREL SAUNA PACKAGE OPTIONS:

- 2' (60cm) Front Porch
- 4' (120cm) Changeroom with Benches
- Overhang Cove on Front
- 2 Windows in Front Wall
- Woodburning or Electric Heaters
- Signature Bench Upgrades



MODEL 760PV With Changeroom and Porch



PACKAGE SIZE:

1. 147x45x32" 373x114x81cm
2. 90x90x30" 228x228x76cm

PRODUCT WEIGHT:

1. 1615 lbs 732 kg
2. 232 lbs 105 kg



www.dundalkleisurecraft.com